

Features:

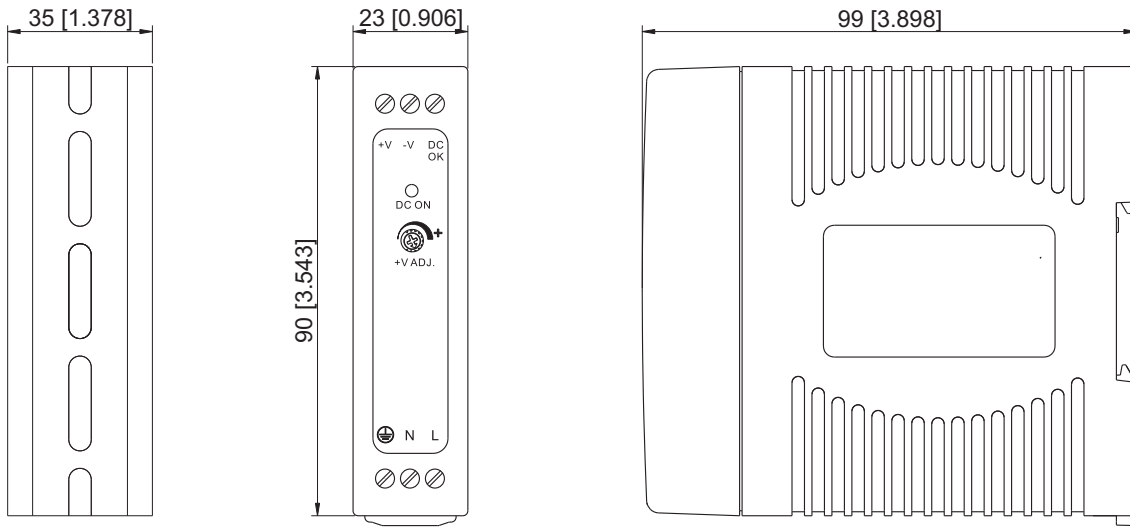
- Universal AC input / Full range
- Installed on DIN rail TS-35 / 7.5 or 15
- Brown-out protection
- Protection: SCP, OLP, OVP
- High operation temperature up to 70°C
- True DC OK signal output
- Withstand 2G vibration test
- UL 508 (Industrial control equipment) listed
- UL 1310 Class 2 Power unit / LPS pass
- 3 years warranty



| MODEL | | DN-20-12 | DN-20-15 | DN-20-24 |
|---------------------|--|---|--------------|--------------|
| Output | DC Voltage Range | 12V | 15V | 24V |
| | Rated Current | 1.7A | 1.4A | 1A |
| | Current Range | 0 ~ 1.7A | 0 ~ 1.4A | 0 ~ 1A |
| | Rated Power | 20.4W | 21W | 24W |
| | Ripple & Noise (Max.) | Note.2 100mVp-p | 100mVp-p | 120mVp-p |
| | Voltage Adj. Range | 10.8 ~ 13.2V | 13.5 ~ 16.5V | 21.6 ~ 26.4V |
| | Voltage Tolerance | Note.3 ±1% | ±1% | ±1% |
| | Line Regulation | ±1% | ±1% | ±1% |
| | Load Regulation | ±1% | ±1% | ±1% |
| | Setup, Rise Time | < 800ms, < 100ms / 230VAC at full load | | |
| Hold Up Time (Typ.) | > 32ms / 230VAC, > 16ms / 115VAC at full load | | | |
| Input | Voltage Range | Note.4 88 ~ 264VAC, 124 ~ 370VDC | | |
| | Frequency Range | 47 ~ 63Hz | | |
| | Efficiency (Typ.) | 83% | 85% | 86% |
| | AC Current (Typ.) | 0.45 A / 115VAC, 0.32A / 230VAC | | |
| | Inrush Current (Typ.) | 20A / 115VAC, 40A / 230VAC | | |
| | Leakage Current | < 1mA / 230VAC | | |
| Protection | Over Load | > 105% rated output power Protection type: constant current limit, recovers automatically after fault condition is removed | | |
| | Over Voltage | 115 ~ 150% rated output voltage Protection type: latch-off mode | | |
| Environment | Working Temp. | -20 ~ +70°C (Refer to de-rating curve) | | |
| | Working Humidity | 20 ~ 90% RH non-condensing | | |
| | Storage Temp. & Humidity | -40 ~ +85°C, 10 ~ 95% RH | | |
| | Temp. Coefficient | ±0.03% / °C (0 ~ 50°C) | | |
| | Vibration | 10 ~ 500Hz, 2G 10min. / 1cycle, period for 60min. Each along X, Y, Z axes | | |
| Safety & EMC | Safety Standards | Certified UL 508; EN 60950-1; UL 1310 Class 2 Power Supply | | |
| | Withstand Voltage | I/P-O/P: 4242VDC, I/P-FG: 2121VDC 1minute | | |
| | Isolation Resistance | I/P-O/P, I/P-FG, O/P-FG: 100M Ohms / 500VDC | | |
| | EMI Conduction & Radiation | Certified EN 55022; EN 61000-6-3 | | |
| | Harmonic Current | Certified EN 61000-3-2; EN 61000-3-3 | | |
| | EMS Immunity | Certified EN 61204-3; EN 55024; EN 61000-6-1; IEC 61000-4-2, 3, 4, 5, 6, 8, 11 | | |
| Others | DC OK signal | Open collector Max. : 40mA | | |
| | Connection | I/P: 3 poles, O/P: 3 poles screw terminal | | |
| | MTBF | 120.4K HRS | 131.3K HRS | 125.9K HRS |
| | Cooling | Air convection | | |
| | Dimension (WxHxD) | 23x90x99 mm / 0.906x3.543x3.898 inch | | |
| | Packing | 0.16kg; 45pcs / 8.2kg / 0.6CUFT | | |
| Note | <p>1. All parameters NOT specially mentioned are measured at 230VAC input, rated load and 25°C of ambient temperature.</p> <p>2. Ripple & noise are measured at 20MHz of bandwidth by using a 12" twisted pair-wire terminated with a 0.1uF & 47uF parallel capacitor.</p> <p>3. Tolerance: includes setup time tolerance, line regulation and load regulation.</p> <p>4. De-rating may apply in low input voltage. Please check the de-rating curve for more details.</p> <p>5. The power supply is considered a component which will be installed into a final equipment. The final equipment must be re-confirmed that it still meets EMC directives.</p> | | | |

Mechanical Drawings:

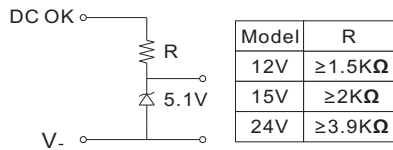
Unit : mm / inch



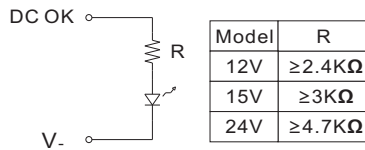
install DIN rail TS-35 / 7.5 or TS-35 / 15

Application of DC OK Active Signal:

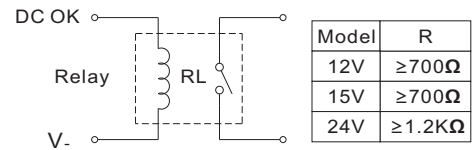
(a) 5V signal



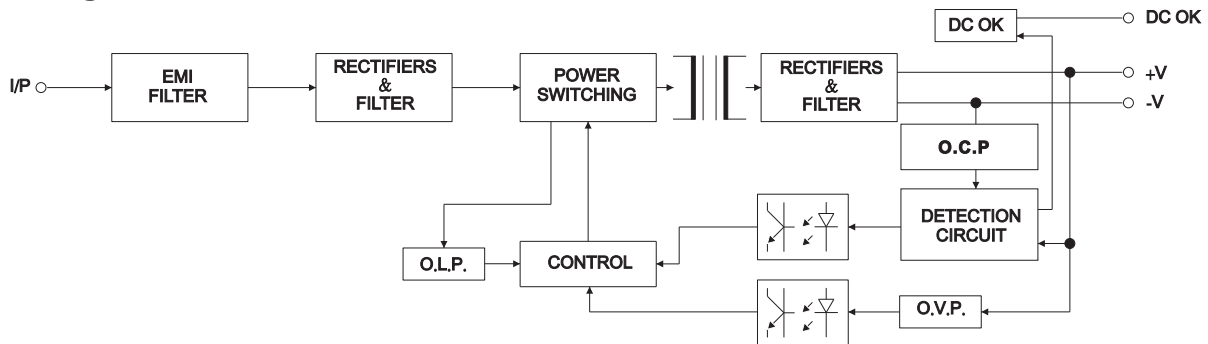
(b) LED



(c) Relay

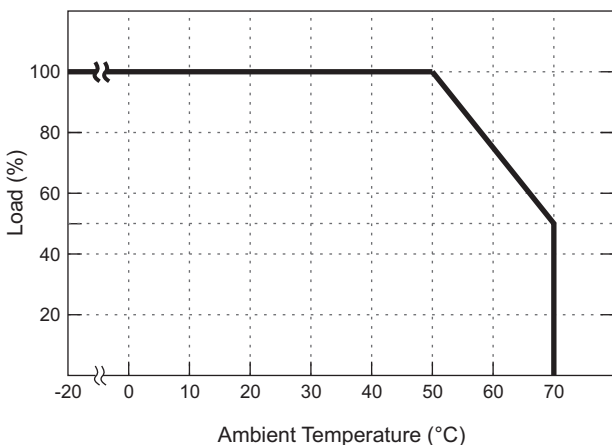


Block Diagram:



De-rating Curve:

Load V.S Temp.



Load V.S I/P Voltage

