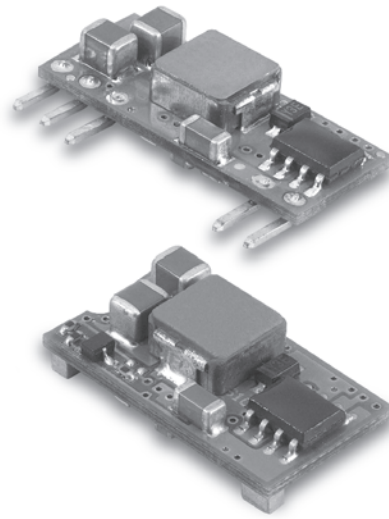


# SIP SMT05-12

S E R I E S

## 5 AMP POL CONVERTERS

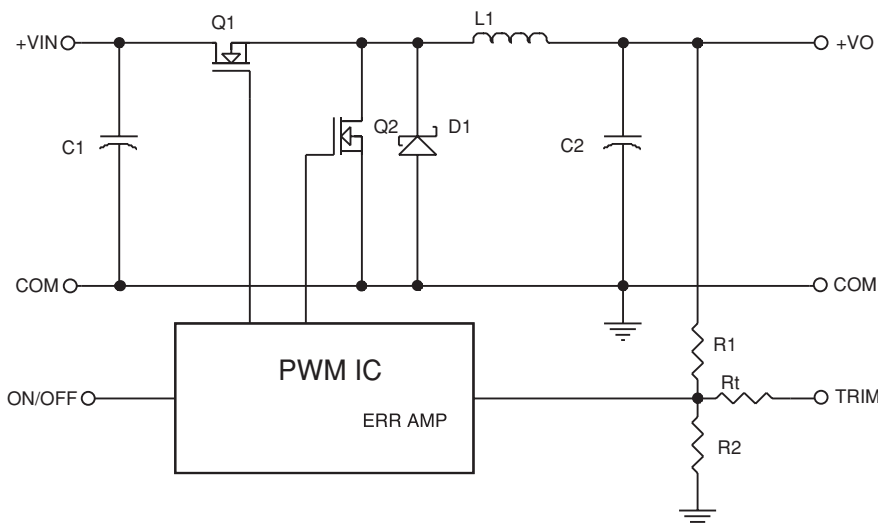


### Features

- Non-Isolated POL Converter
- SIP / SMT Package
- Output Current 5AMP
- Input Voltage Range 8.3-14VDC
- Output Voltage Range 0.75-5VDC
- High Efficiency to 92%
- Over Temperature Protection
- Continuous Short Circuit Protection
- Remote On/Off Control
- UL/C-UL 60950 Certified

MODEL NUMBER	INPUT VOLTAGE	OUTPUT VOLTAGE	OUTPUT CURRENT	INPUT CURRENT		% EFF.
				NO LOAD	FULL LOAD	
SIP05-12S05A	8.3-14 VDC	0.75 VDC	5 A	20 mA	428 mA	73
	8.3-14 VDC	1.2 VDC	5 A	25 mA	625 mA	80
	8.3-14 VDC	1.5 VDC	5 A	25 mA	762 mA	82
	8.3-14 VDC	1.8 VDC	5 A	30 mA	893 mA	84
SMT05-12S05A	8.3-14 VDC	2.0 VDC	5 A	30 mA	980 mA	85
	8.3-14 VDC	2.5 VDC	5 A	35 mA	1197 mA	87
	8.3-14 VDC	3.3 VDC	5 A	45 mA	1545 mA	89
	8.3-14 VDC	5.0 VDC	5 A	50 mA	2264 mA	92

NOTE: 1. Nominal Input Voltage 12 VDC



Vo, set (V)	Rtrim (KΩ)
0.75	Open
1.2	22.33
1.5	13.0
1.8	9.0
2.0	7.4
2.5	5.0
3.3	3.12
5.0	1.47

Table 1. External Resistor Values for programming output voltage

Figure 1. Simplified Schematic

