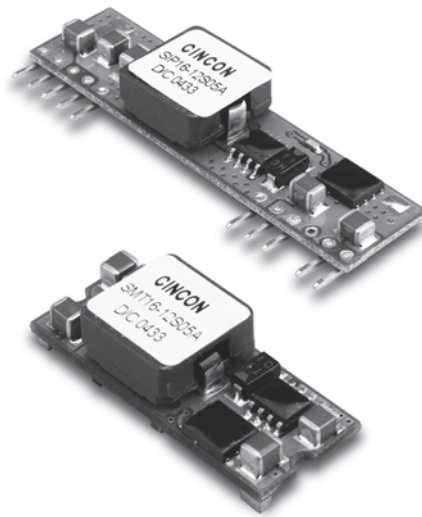


SIP SMT16-12

S E R I E S

16 AMP POL CONVERTERS



Features

- Non-Isolated POL Converter
- SIP / SMT Package
- Output Current 16AMP
- Input Voltage Range 9-14VDC
- Output Voltage Range 0.75-5VDC
- 300KHz Switching Frequency
- High Efficiency to 94%
- Over Temperature Protection
- Continuous Short Circuit Protection
- Remote On/Off Control
- UL/C-UL 60950 Certified

MODEL NUMBER	INPUT VOLTAGE	OUTPUT VOLTAGE	OUTPUT CURRENT	INPUT CURRENT		% EFF.
				NO LOAD	FULL LOAD	
SIP 16-12S05A	9.0-14 VDC	0.75 VDC	16 A	40 mA	1299 mA	77
	9.0-14 VDC	1.2 VDC	16 A	50 mA	1928 mA	83
	9.0-14 VDC	1.5 VDC	16 A	50 mA	2326 mA	86
	9.0-14 VDC	1.8 VDC	16 A	60 mA	2727 mA	88
SMT16-12S05A	9.0-14 VDC	2.0 VDC	16 A	60 mA	2996 mA	89
	9.0-14 VDC	2.5 VDC	16 A	65 mA	3704 mA	90
	9.0-14 VDC	3.3 VDC	16 A	75 mA	4783 mA	92
	9.0-14 VDC	5.0 VDC	16 A	75 mA	7092 mA	94

NOTE: 1. Nominal Input Voltage 12 VDC

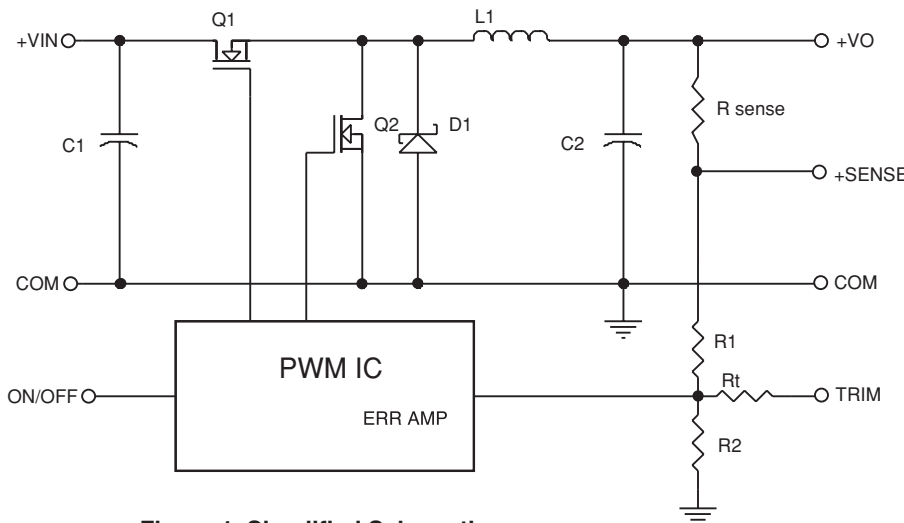


Figure 1. Simplified Schematic

Vo, set (V)	Rtrim (KΩ)
0.75	Open
1.2	22.33
1.5	13.0
1.8	9.0
2.0	7.4
2.5	5.0
3.3	3.12
5.0	1.47

Table 1. External Resistor Values for programming output voltage

