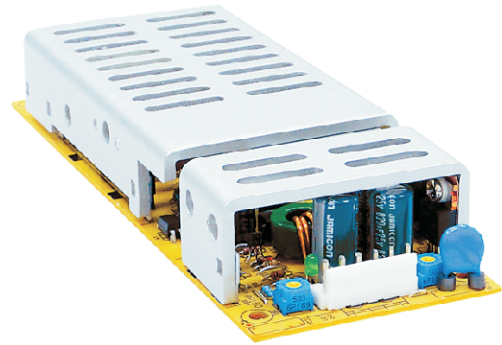


Features:

- Universal AC input / Full range
- Built in active PFC function, PF > 0.90
- No load power consumption < 1W
- User adjustable output voltage and constant current level
- Protection: OVP, OLP, OTP, SCP
- 3 years warranty



MODEL		AP-150-12	AP-150-15	AP-150-20	AP-150-24	AP-150-30	AP-150-36	AP-150-48
Output	DC Voltage Range	12V	15V	20V	24V	30V	36V	48V
	Rated Current	11A	10A	7.5A	6.3A	5A	4.2A	3.2A
	Current Range	0 ~ 11A	0 ~ 10A	0 ~ 7.5A	0 ~ 6.3A	0 ~ 5A	0 ~ 4.2A	0 ~ 3.2A
	Rated Power	132W	150W	150W	151.2W	150W	151.2W	153.6W
	Ripple & Noise (Max.)	Note.2 150mVp-p	150mVp-p	150mVp-p	240mVp-p	240mVp-p	240mVp-p	240mVp-p
	Voltage Adj. Range	±10.0%	±10.0%	±10.0%	±10.0%	±10.0%	±10.0%	±10.0%
	Constant Current adj. Range	Voltage range can only be modified by COTEK						
	Voltage Tolerance	Note.3 ±1%	±1%	±1%	±1%	±1%	±1%	±1%
	Line Regulation	±1%	±1%	±1%	±1%	±1%	±1%	±1%
	Load Regulation	±2%	±2%	±2%	±2%	±2%	±2%	±2%
Setup, Rise Time	< 2000ms, < 30ms / 230VAC at full load							
Hold Up Time (Typ.)	> 32ms / 230VAC, > 16ms / 115VAC at full load							
Input	Voltage Range	Note.4 90 ~ 264VAC, 127 ~ 370VDC						
	Frequency Range	47 ~ 63Hz						
	Power Factor (Typ.)	PF ≥ 0.90 / 230VAC, PF ≥ 0.95 / 115VAC at full load						
	Efficiency (Typ.)	88%	88%	89%	90%	90%	90%	90%
	AC Current (Typ.)	2A / 115VAC, 1A / 230VAC						
	Inrush Current (Typ.)	Cold start 30A / 115VAC, 60A / 230VAC						
	Leakage Current	< 1mA / 240VAC						
Protection	Over Load	> 102% rated output power Protection type: constant current limit, automatically after fault condition is removed						
	Over Voltage	115 ~ 150% rated voltage Protection type: Latch-off mode, re-power on to recover						
	Over Temperature	90 ±5°C detect on NTC Protection type: Shut down o/p voltage. Re-power on to recover						
Environment	Working Temp.	-20 ~ +70°C (Refer to derating curve)						
	Working Humidity	20 ~ 90% RH non-condensing						
	Storage Temp. & Humidity	-20 ~ +85°C, 10 ~ 95% RH						
	Temp. Coefficient	±0.05% / °C (0 ~ 50°C)						
	Vibration	10 ~ 500Hz, 2G 10min. / 1cycle, period for 60min. Each along X, Y, Z axes						
Safety & EMC	Safety Standards	Certified UL 60950-1; EN 60950-1						
	Withstand Voltage	I/P-O/P: 3KVAC (4242VDC), I/P-FG: 3KVAC (2121VDC) 1min.						
	Isolation Resistance	I/P-O/P, I/P-FG, O/P-FG: 100M Ohms / 500VDC						
	EMI Conduction & Radiation	Certified EN 55022; EN 61000-6-3						
	Harmonic Current	Certified EN 61000-3-2; EN 61000-3-3						
Others	EMS Immunity	Certified EN 61204-3; EN 55024; EN 61000-6-1; IEC 61000-4-2, 3, 4, 5, 6, 8, 11						
Others	Dimension (WxHxD)	60.7x26.6x175 mm / 2.390x1.047x6.890 inch						
	Packing	0.3kg						
Note	<ol style="list-style-type: none"> 1. All parameters NOT specially mentioned are measured at 230VAC input, rated load and 25°C of ambient temperature. 2. Ripple & noise are measured at 20MHz of bandwidth by using a 12" twisted pair-wire terminated with a 0.1uF & 47uF parallel capacitor. 3. Tolerance: includes setup time tolerance, line regulation and load regulation. 4. De-rating may apply in low input voltage. Please check the de-rating curve for more details. 5. The power supply is considered a component which will be installed into a final equipment. The final equipment must be re-confirmed that it still meets EMC directives. 							

Mechanical Drawings:

Unit : mm[inch]

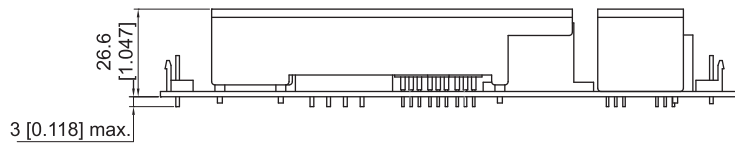
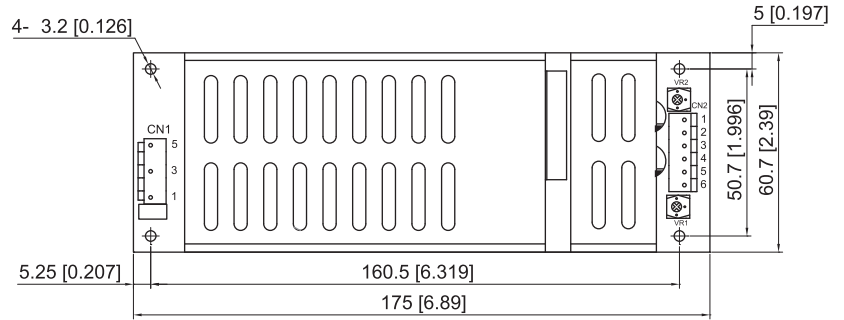
MODEL: AP150-x

AC Input Connector (CN1):
JST B5P-VH or equivalent

Pin. No.	Assignment	
5	Ground/Earth	FG
4	N.C	N.C
3	Neutral	AC/N
2	N.C	N.C
1	Live	AC/L

DC Output Connector (CN2 for AP-150-x):
JST B6P-VH or equivalent

Pin. No.	Assignment	
4-6	VO-	Return
1-3	VO+	+Main Output



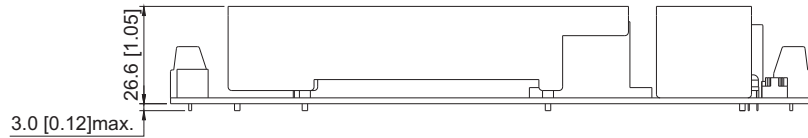
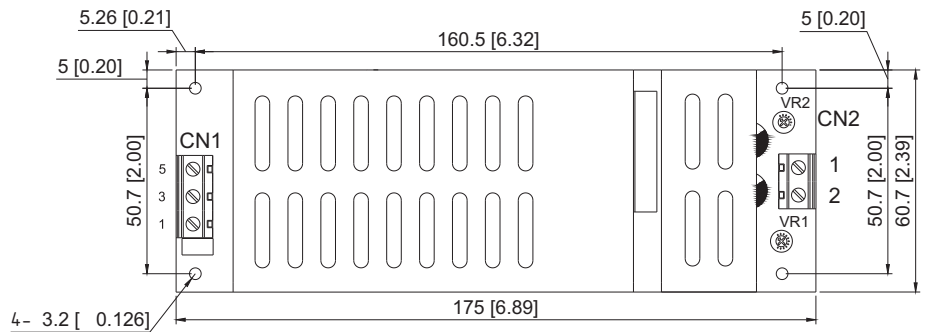
MODEL: AP150-x T

AC Input Terminal (CN1 for AP-150-x T):
Pitch 9.5mm:

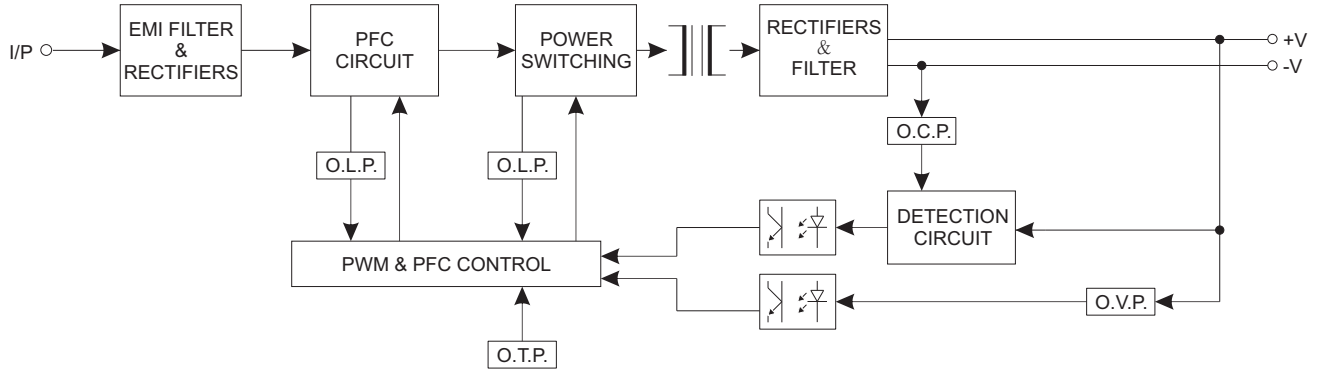
Pin. No.	Assignment	
5	Ground/Earth	FG
3	Neutral	AC/N
1	Live	AC/L

DC Output Terminal (CN2 for AP-150-x T):
Pitch 9.5mm:

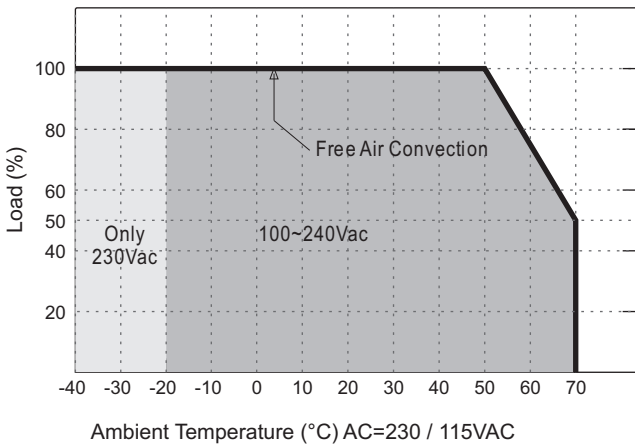
Pin. No.	Assignment	
1	VO(+)	+Main Output
2	VO(-)	Return



Block Diagram:



De-rating Curve:



Static Characteristics:

