

# 949ZX SERIES

## 5 Watt

DC-DC CONVERTER

3:1 & 4:1 Wide Range Input

### FEATURES

- PCB Mountable
- High Stable Regulated Output
- Thermally Conductive Encapsulant
- 100% Burn-In And Triple Tested
- MTBF > 400,000 Hours

### APPLICATIONS

- Local Area Network
- Isolation Devices
- Telecommunications
- Industrial And Testing Equipment
- Battery-Powered Equipment
- Medical Equipment
- Distributed Power Equipment



### ELECTRICAL SPECIFICATIONS

Input Voltage Range	3:1 & 4:1
Output voltage Accuracy	±2%
Load Regulation	±1% ( Single Output), ±2.5% (Dual Output)
Line Regulation	±1% .
Ripple & Noise	50mV p-p for 5V, 1% for other voltages
Short Circuit Protection	Fold back
Over voltage Protection	Build-in

### GENERAL SPECIFICATIONS

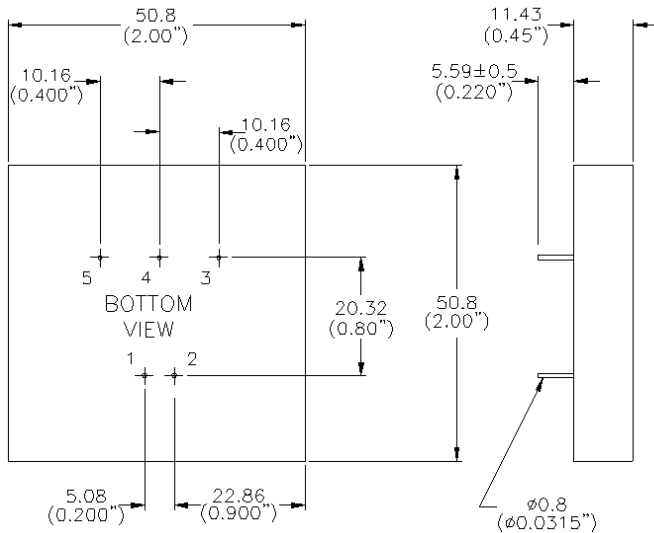
Efficiency (at full load)	70% typical
Isolation Voltage	500VDC
Operating Frequency	50KHz min.
Operating Temperature	-25°C to +70°C
Storage Temperature	-40°C to +100°C
Isolation Resistance	10 <sup>9</sup> Ohms, min.
Reflected Ripple Current	20mA p-p max.
weight	3.0 Oz. (90 grams)
Case Material	Black coated copper with non-conductive plastic base

## 949ZX SERIES SPECIFICATIONS

Model-Type	Input Voltage (Vdc)	Input Current mA (typ)		Output Voltage (Vdc)	Output Current mA (max)
		No Load	Full Load		
949ZX1205S 949ZX1212S 949ZX1215S	9-36 (24)	60	660	5 12 15	1000 400 330
949ZX1212D 949ZX1215D	9-27 (24)	90 135	635 660	±12 ±15	±200 ±167
949ZX4805S 949ZX4812S 949ZX4815S	20-72 (48)	30 30 30	300 285 300	5 12 15	1000 400 330
949ZX4812S 949ZX4815S	20-60 (48)	65 50	320 325	±12 ±15	±200 ±167

S: Single Output      D: Dual Output

Specifications subject to change without notice.



### Pin Connections

Pin	Single	Dual
1	+ Input	+ Input
2	- Input	- Input
3	- Output	- Output
4	NC	Common
5	+ Output	+ Output

