

# 962ZW SERIES

## 10 Watt, Low Profile DC-DC CONVERTER 2:1 Wide Range Input

### FEATURES

- PCB Mountable
- High Stable Regulated Output
- Thermally Conductive Encapsulant
- 100% Burn-In And Triple Tested
- MTBF > 400,000 Hours

### APPLICATIONS

- Local Area Network
- Isolation Devices
- Telecommunications
- Industrial And Testing Equipment
- Battery-Powered Equipment
- Medical Equipment
- Distributed Power Equipment



### ELECTRICAL SPECIFICATIONS

Input Voltage Range	2:1
Output voltage Accuracy	± 1%
Load Regulation	Single ±1%, Dual ±2.5%
Line Regulation	±1%
Ripple & Noise	100mV p-p for 5V, 1% for other voltages, 50mV for 3.3V
Short Circuit Protection	Continuous
Overload Protection	All Output

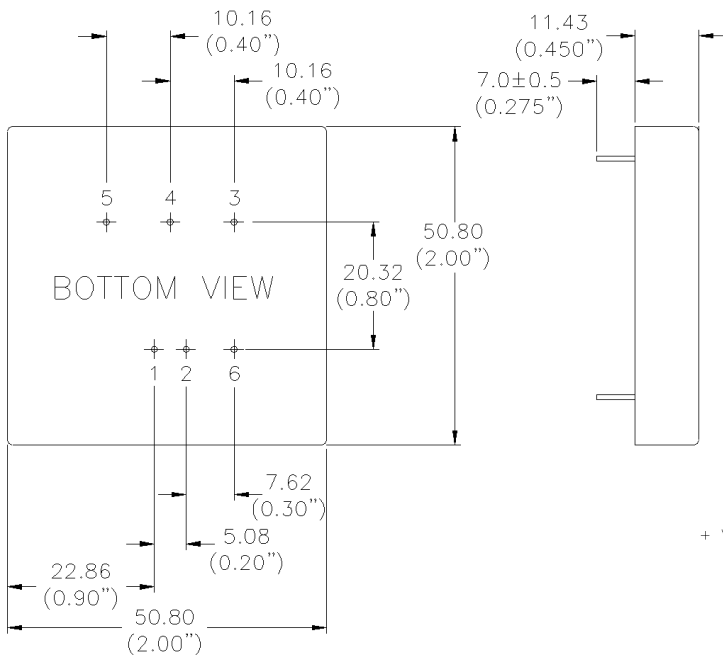
### GENERAL SPECIFICATIONS

Efficiency (at full load)	85% typical, 80% for 3.3V
Isolation Voltage	500VDC
Operating Frequency	100KHz min.
Operating Temperature	-25°C to +70°C
Storage Temperature	-40°C to +100°C
Isolation Resistance	10 <sup>9</sup> Ohms, min.
Reflected Ripple Current	20mA, typical
Weight	2.4 Oz. (65 grams)
Case Material	Black coated with non-conductive metal base

## 962ZW SERIES SINGLE AND DUAL OUTPUT SPECIFICATIONS

Model-Type	Input Voltage (Vdc)	Input Current mA (typ)		Output Voltage (Vdc)	Output Current mA (max)
		No Load	Full Load		
962ZW0503S	4.5-6.0 (5)	15	2666	3.3	3000
962ZW0505S		15	2666	5	2000
962ZW0512S		15	2562	12	800
962ZW0515S		15	2600	15	667
962ZW0505D		15	2666	±5	±1000
962ZW0512D		15	2666	±12	±400
962ZW0515D		15	2639	±15	±333
962ZW1203S	9-18 (12)	28	1031	3.3	3000
962ZW2403S	18-36 (24)	30	516	3.3	3000
962ZW4803S	36-72 (48)	32	255	3.3	3000

S: Single Output      D: Dual Output



### Pin Connections

Pin	Single	Dual
1	+ Input	+ Input
2	- Input	- Input
3	- Output	- Output
4	Trim	Common
5	+ Output	+ Output
6	On/Off	

