

972ZW SERIES

15 Watt, Low Profile DC-DC CONVERTER 2:1 Wide Range Input

FEATURES

- PCB Mountable
- High Stable Regulated Output
- Thermally Conductive Encapsulant
- 100% Burn-In And Triple Tested
- MTBF > 400,000 Hours

APPLICATIONS

- Local Area Network
- Isolation Devices
- Telecommunications
- Industrial And Testing Equipment
- Battery-Powered Equipment
- Medical Equipment
- Distributed Power Equipment



ELECTRICAL SPECIFICATIONS

Input Voltage Range	2:1
Output voltage Accuracy	Single & Dual $\pm 2\%$, Triple $+V_1$ & $-V_2 \pm 2\%$, $+V_3 \pm 3\%$
Load Regulation	Single $\pm 1\%$, Dual & Triple $\pm 2.5\%$
Line Regulation (Triple Output / Single Output)	Single $\pm 0.5\%$, Dual & Triple $\pm 1\%$
Ripple & Noise	100mV p-p for 5V, 1% for other voltages, 50mV for 3.3V
Short Circuit Protection	Fold back
Overload Protection	Build-in

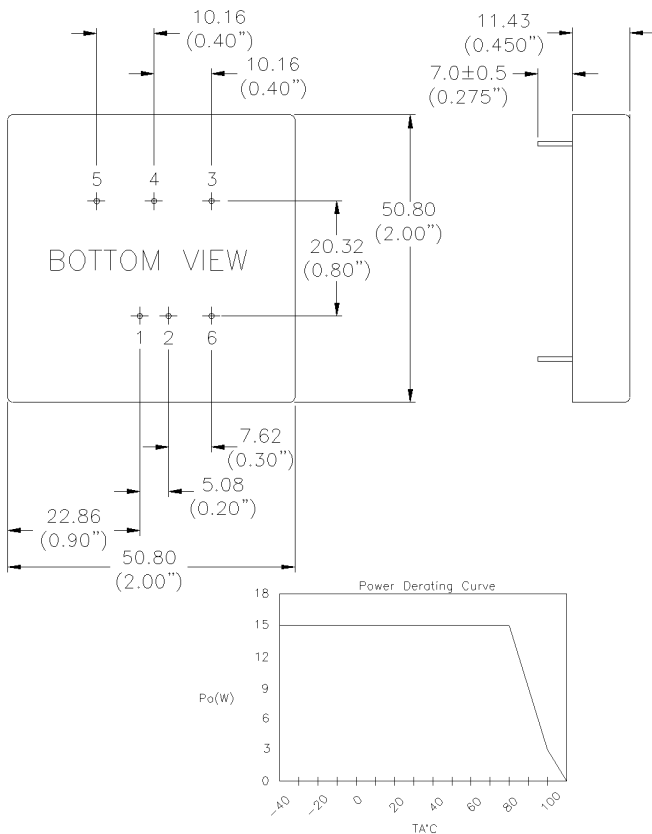
GENERAL SPECIFICATIONS

Efficiency (at full load)	Single & Dual 85% typical, Triple 80% typical
Isolation Voltage	500VDC
Operating Frequency	100KHz min.
Operating Temperature	-25°C to +70°C
Storage Temperature	-40°C to +100°C
Isolation Resistance	10^9 Ohms, min.
Reflected Ripple Current	20mA, typical
Weight	Single & Dual 2.4 Oz. (65 grams), Triple 2.8 Oz. (79 grams)
Case Material	Black coated with non-conductive metal base

972ZW SERIES SPECIFICATIONS

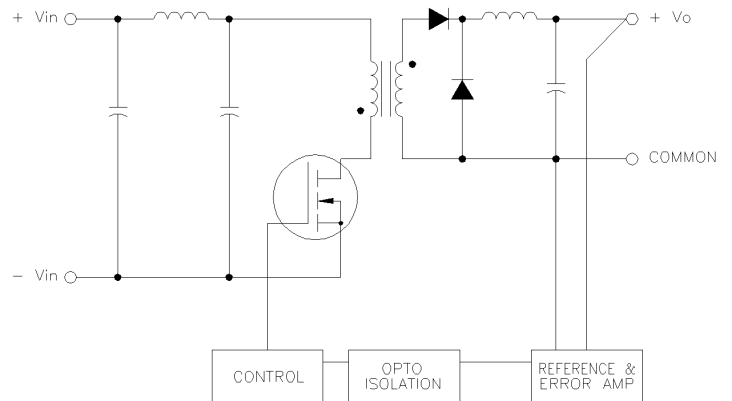
Model-Type	Input Voltage (Vdc)	Input Current mA (typ)		Output Voltage (Vdc)	Output Current mA (max)
		No Load	Full Load		
972ZW1205S	9-18 (12)	30	1563	5	3000
972ZW1212S		30	1563	12	1250
972ZW1215S		30	1563	15	1000
972ZW1205D		30	1563	±5	±1500
972ZW1212D		30	1563	±12	±625
972ZW1215D		30	1524	±15	±500
972ZW2405S	18-36 (24)	28	781	5	3000
972ZW2412S		28	753	12	1250
972ZW2415S		28	753	15	1000
972ZW2405D		28	781	±5	±1500
972ZW2412D		28	753	±12	±625
972ZW2415D		28	753	±15	±500
972ZW4805S	36-72 (48)	25	381	5	3000
972ZW4812S		25	372	12	1250
972ZW4815S		25	368	15	1000
972ZW4805D		25	381	±5	±1500
972ZW4812D		25	372	±12	±625
972ZW4815D		25	368	±15	±500

S: Single Output D: Dual Output



Pin Connections

Pin	Single	Dual
1	+ Input	+ Input
2	- Input	- Input
3	- Output	- Output
4	Trim	Common
5	+ Output	+ Output
6	Remote On/Off	





TRI-MAG, Inc.

® *your* POWER Specialists

1601 N. CLANCY CT. • VISALIA, CA 93291

(559) 651-2222 • FAX (559) 651-0188

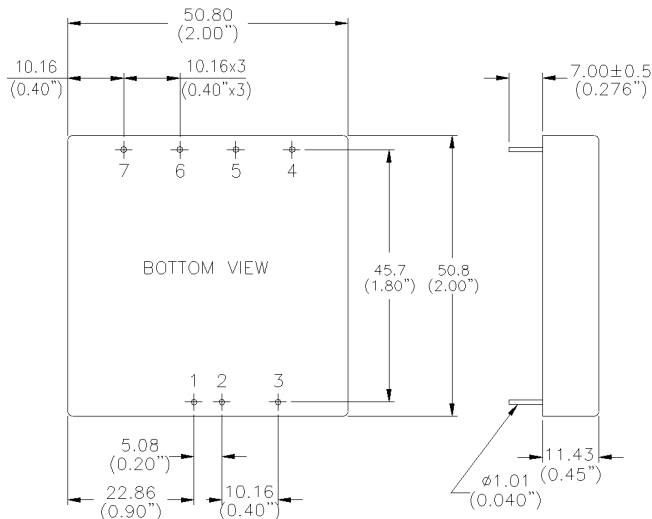
<http://www.tri-mag.com>

<http://eemonline.com/tri-mag>

tri-mag@worldnet.att.net

972ZW SERIES SPECIFICATIONS

Model-Type	Input Voltage (Vdc)	Input Current mA (typ)		Output Voltage (Vdc)	Output Current mA (max)
		No Load	Full Load		
972ZW12T01	9-18 (12)	50	1518	+5	1500
972ZW12T02				+12	310
972ZW12T03				-12	310
972ZW24T01	18-36 (24)	50	1524	+5	1500
972ZW24T02				+15	250
972ZW24T03				-12	250
972ZW48T01	36-72 (48)	50	1394	+5	1500
972ZW48T02				+12	310
972ZW48T03				-5	500
972ZW24T01	18-36 (24)	55	750	+5	1500
972ZW24T02				+12	310
972ZW24T03				-12	310
972ZW48T01	36-72 (48)	55	753	+5	1500
972ZW48T02				+15	250
972ZW48T03				-15	250
972ZW48T01	36-72 (48)	55	699	+5	1500
972ZW48T02				+12	310
972ZW48T03				-5	500
972ZW48T01	36-72 (48)	55	375	+5	1500
972ZW48T02				+12	310
972ZW48T03				-12	310
972ZW48T01	36-72 (48)	55	375	+5	1500
972ZW48T02				+15	250
972ZW48T03				-15	250
972ZW48T01	36-72 (48)	55	344	+5	1500
972ZW48T02				+12	310
972ZW48T03				-5	500



Pin Connections

Pin	Fuction
1	+ Input
2	- Input
3	On/Off
4	- Output
5	Common
6	+5V Output
7	+ Output