

PEM* K SERIES

FEATURES AND SPECIFICATIONS



OPTIONS

PART NUMBER	RATED CURRENT	IEC CONN	FUSE	ON/OFF SWITCH	VOLT SELECT
K1-12S10E	3A	YES	YES	YES	NO
K3-12VS10E	3A	YES	YES	NO	YES
K3-12S10EVS	3A	YES	YES	YES	YES
K3-123	3A	YES	YES	NO	NO

SPECIFICATIONS

1.0 HIGHPOT RATING:

LINE-TO-GROUND: 2000 VAC
 LINE-TO-LINE: 1750 VDC

2.0 RATED VOLTAGES AND FREQUENCY:

115/250 VAC, 47-63 Hz

3.0 MAXIMUM LEAKAGE CURRENT, EACH LINE TO GROUND.

115 VAC, 60 Hz: 0.25 mA MAX
 250 VAC, 60 Hz: 0.50 mA MAX

4.0 PERFORMANCE

MHz.		0.05	0.15	0.50	1.50	5.00	20.00	30.00
CM	L/G	30 dB	60 dB	65 dB	65 dB	65 dB	65 dB	65 dB
DM	L/L	10 dB	50 dB	65 dB	65 dB	65 dB	65 dB	65 dB

APPLICATIONS

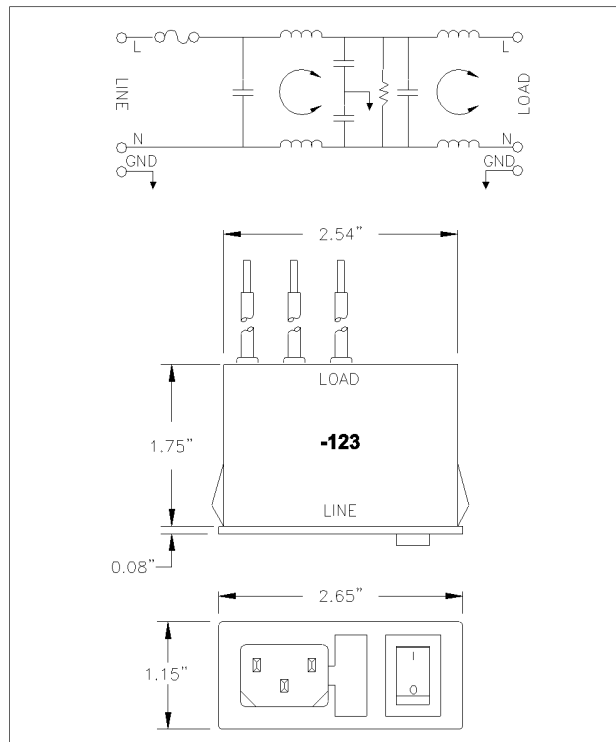
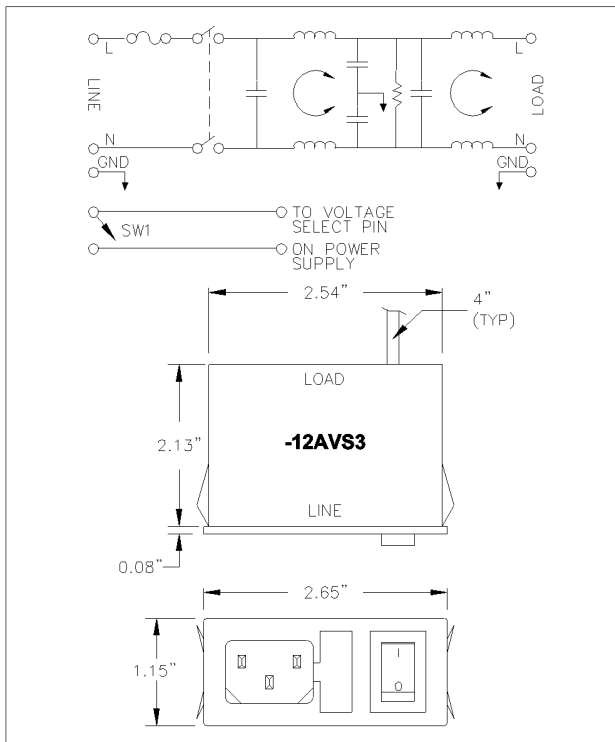
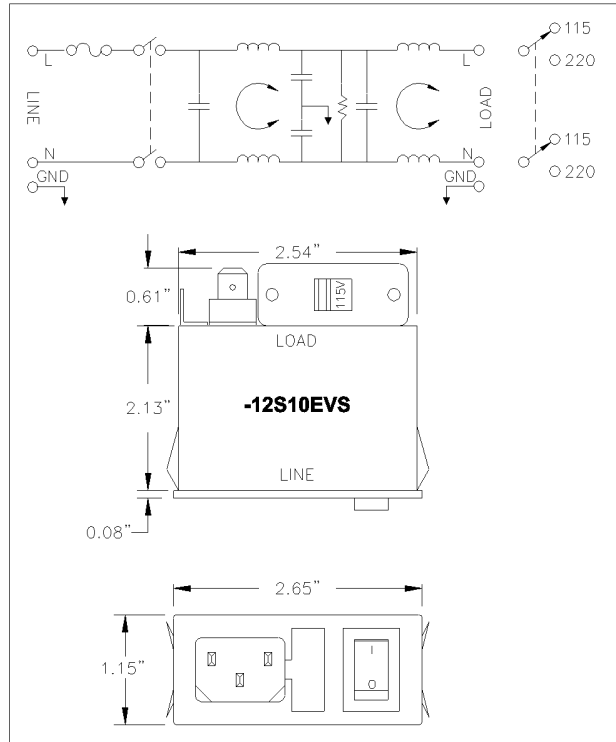
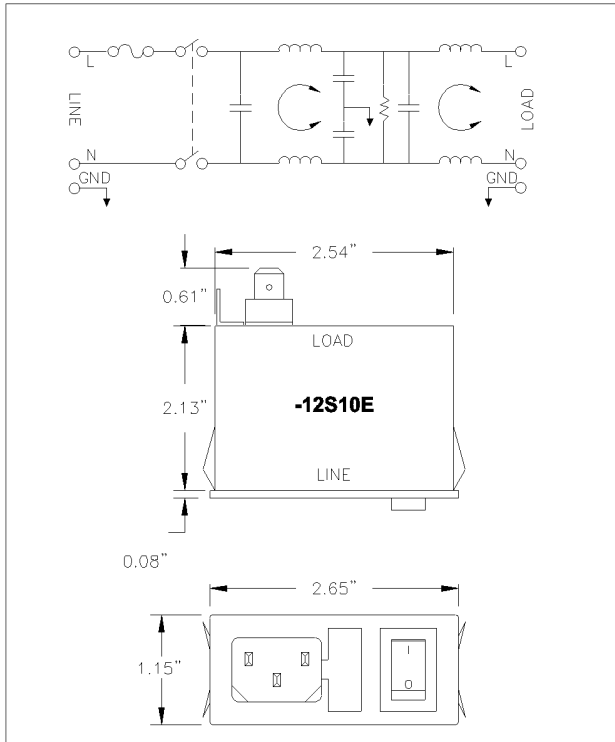
- * MICROPROCESSORS
- * DATA TERMINALS
- * SMPS WITH ON-BOARD FILTER

FEATURES

- * MINIMUM SPACE REQUIREMENT
- * COST SAVING INTREGRATION
- * SAFETY INTERLOCK ON FUSE

* = PEM= POWER ENTRY MODULE

PEM* K SERIES



*=PEM=POWER ENTRY MODULE