

# PEM\* MPA SERIES

## FEATURES AND SPECIFICATIONS



### OPTIONS

PART NUMBER	RATED CURRENT	IEC CONN	FUSE	ON/OFF SWITCH	VOLT SELECT
MPA3-12S10E	3A	YES	YES	YES	NO
MPA3-12VS10E	3A	YES	YES	NO	YES
MPA3-12S10EVS	3A	YES	YES	YES	YES
MPA3-12AVS3	3A	YES	YES	NO	YES

### SPECIFICATIONS

#### 1.0 HIGHPOT RATING:

LINE-TO-GROUND: 2000 VAC  
 LINE-TO-LINE: 1750 VDC

#### 2.0 RATED VOLTAGES AND FREQUENCY:

115/250 VAC, 47-63 Hz

#### 3.0 MAXIMUM LEAKAGE CURRENT, EACH LINE TO GROUND.

115 VAC, 60 Hz: 0.25 mA MAX  
 250 VAC, 60 Hz: 0.50 mA MAX

#### 4.0 PERFORMANCE

MHz.		0.01	0.02	0..05	0.15	0.50	1.00	5.00	10.00	30.00
CM	L/G	5 dB	15 dB	25 dB	35 dB	65 dB	65 dB	65 dB	65 dB	65 dB
DM	L/L	5 dB	6 dB	10 dB	25 dB	59 dB	65 dB	62 dB	40 dB	40 dB

### APPLICATIONS

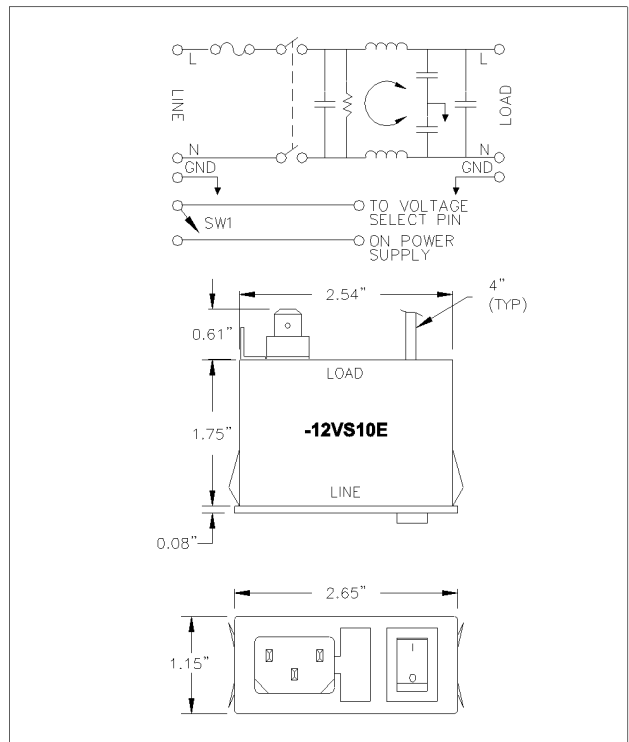
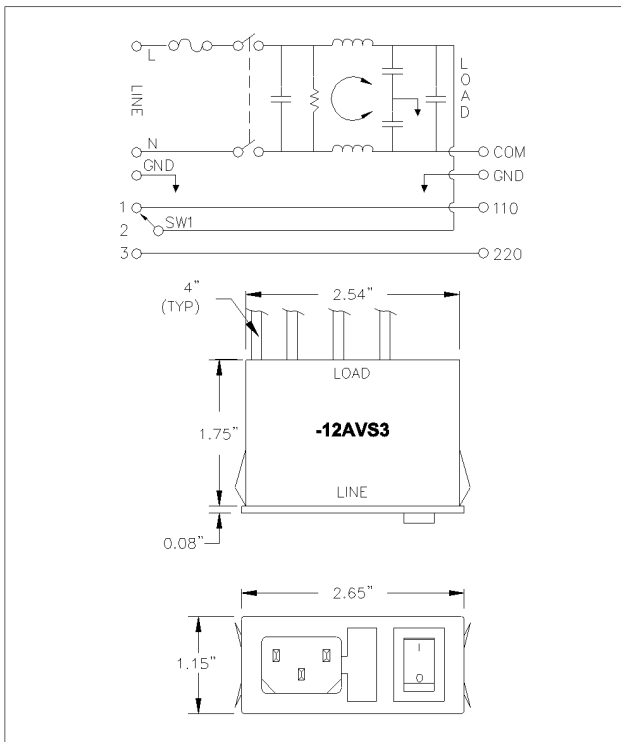
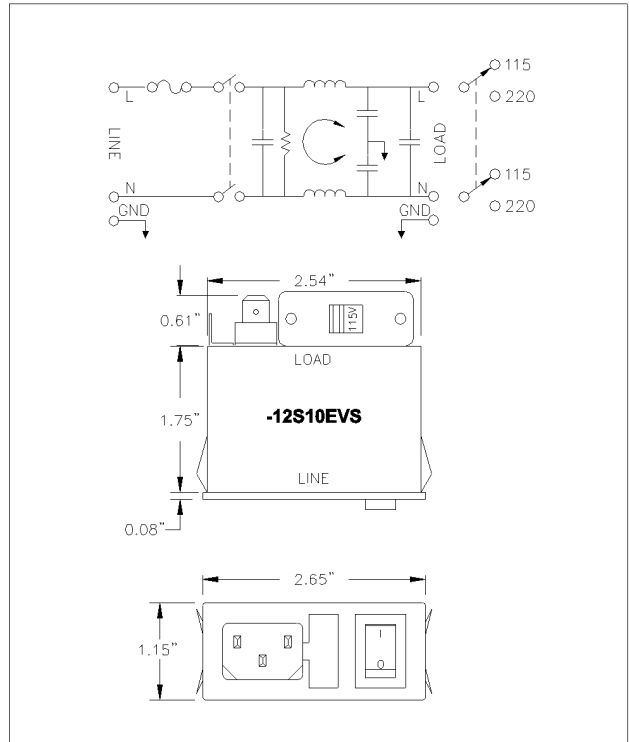
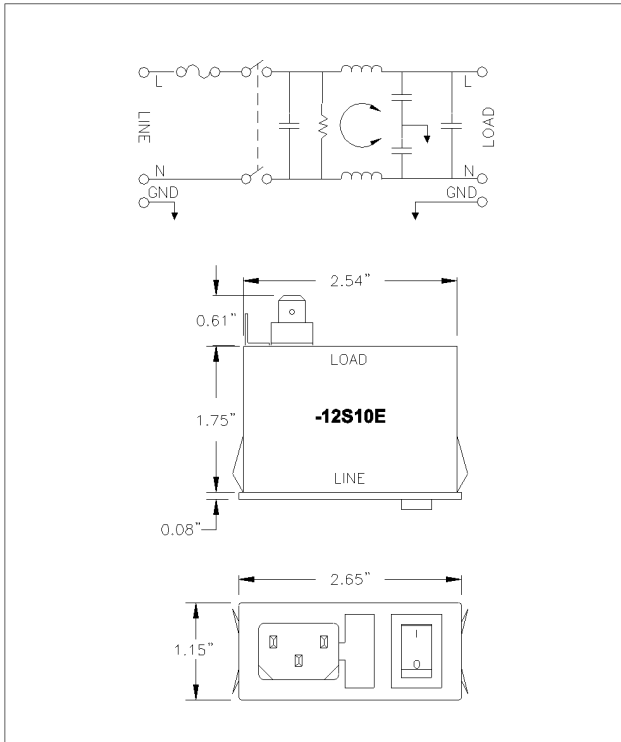
- \* MICROPROCESSORS
- \* DATA TERMINALS
- \* SMPS WITH ON-BOARD FILTER

### FEATURES

- \* MINIMUM SPACE REQUIREMENT
- \* COST SAVING INTREGRATION
- \* SAFETY INTERLOCK ON FUSE

\* = PEM= POWER ENTRY MODULE

# PEM\* MPA SERIES



\*=PEM=POWER ENTRY MODULE