

TDH4 SERIES

3 Watt, 2000 VDC Isolation

DC-DC CONVERTER

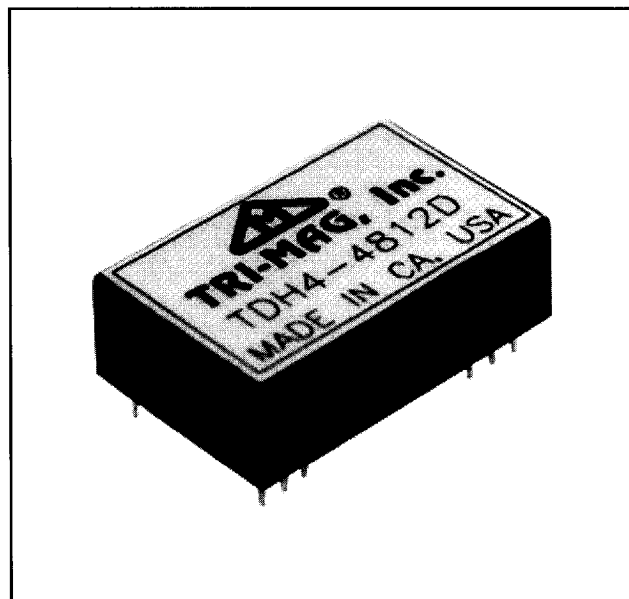
24 Pin DIP

FEATURES

- PCB Mountable
- High Stable Regulated Output
- Thermally Conductive Encapsulant
- 100% Burn-In And Triple Tested
- MTBF > 400,000 Hours

APPLICATIONS

- Local Area Network
- Isolation Devices
- Telecommunications
- Industrial And Testing Equipment
- Battery-Powered Equipment
- Medical Equipment
- Distributed Power Equipment



ELECTRICAL SPECIFICATIONS

Input Voltage Range	See Table
Output voltage Accuracy	±5%
Load Regulation	±1% (Single Output), ±2.5% (Dual Output)
Line Regulation	±1%
Ripple & Noise	50mV p-p for 5V, 1% for other voltages
Short Circuit Protection	Short Term (10 sec. max.)

GENERAL SPECIFICATIONS

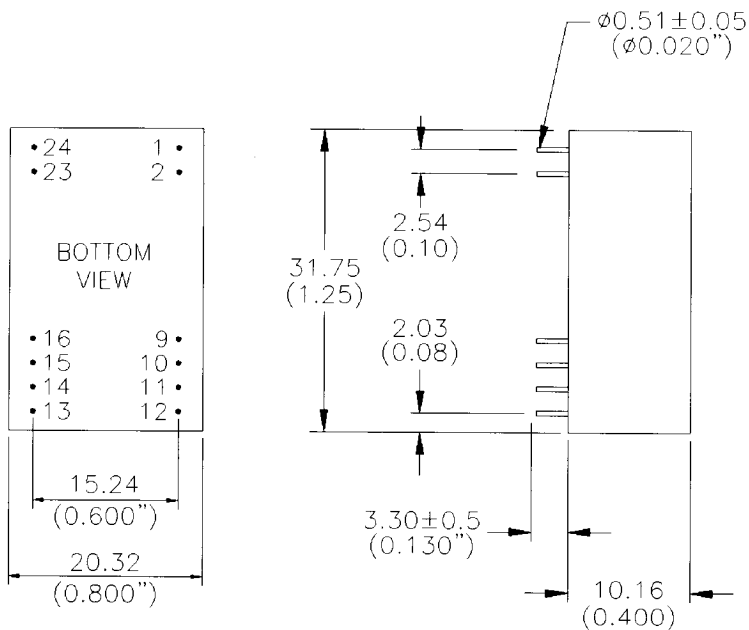
Efficiency (at full load)	70% typical
Isolation Voltage	2000VDC
Operating Frequency	25KHz min.
Operating Temperature	-20°C to +70°C
Storage Temperature	-40°C to +100°C
Isolation Resistance	10 ⁹ Ohms, min.
weight	0.5 Oz. (14.2 grams)
Case Material	Non-conductive Plastic

All specifications and prices subject to change without notice

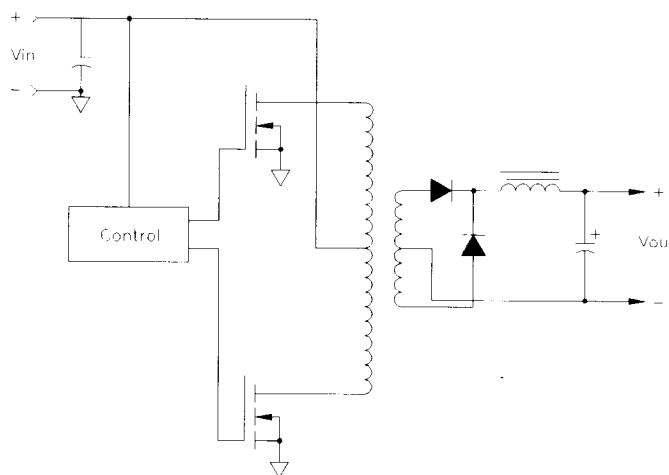
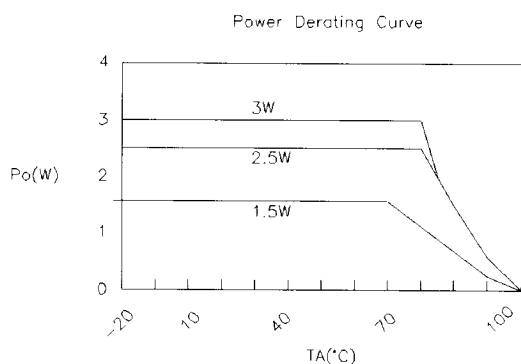
TDH4 SERIES SPECIFICATIONS

Model-Type	Input Voltage (Vdc)	Input Current mA (typ)		Output Voltage (Vdc)	Output Current mA (max)
		No Load	Full Load		
TDH4-0505S TDH4-0512S TDH4-5015S	4.5-5.5 (5)	90 70 50	1000 1100 1000	5 12 15	500 250 200
TDH4-1205S TDH4-1212S TDH4-1215S	10.8-13.2 (12)	30 30 30	350 405 405	5 12 15	500 250 200
TDH4-2405S TDH4-2412S TDH4-2415S	21.6-26.4 (24)	25 25 25	180 200 200	5 12 15	500 250 200
TDH4-4805S TDH4-4812S TDH4-4815S	43.2-52.7 (48)	20 20 20	80 90 90	5 12 15	500 250 200

S: Single Output D: Dual Output



Pin Connections	
Pin	Single
1&2	+ Input
23&24	- Input
11&12	+ Output
9&10	- Output



All specifications and prices subject to change without notice