

# TDB1 SERIES

## 1 Watt

DC-DC CONVERTER

16 Pin DIP Low Profile

### FEATURES

- PCB Mountable
- High Stable Regulated Output
- Thermally Conductive Encapsulant
- 100% Burn-In And Triple Tested
- MTBF > 400,000 Hours

### APPLICATIONS

- Local Area Network
- Isolation Device
- Telecommunications
- Industrial And Testing Equipment
- Battery-Powered Equipment
- Medical Equipment
- Distributed Power Equipment



### ELECTRICAL SPECIFICATIONS

Input Voltage Range		± 10%
Output voltage Accuracy		± 3%
Load Regulation:	Unregulated	± 10%
	Regulated	± 1%
Line Regulation:	Unregulated	± 10%
	Regulated	± 1%
Ripple & Noise		50mV p-p for 5V, 1% for other voltages
Short Circuit Protection		Short Term, (10 sec. max.)

### GENERAL SPECIFICATIONS

Efficiency (at full load)	70% typical
Isolation Voltage	500VDC
Operating Frequency	25KHz min.
Operating Temperature	-25°C to +70°C
Storage Temperature	-40°C to +100°C
Isolation Resistance	10 <sup>9</sup> Ohms, min.
weight	0.5 Oz. (14.2 grams)
Case Material	Non-conductive Plastic

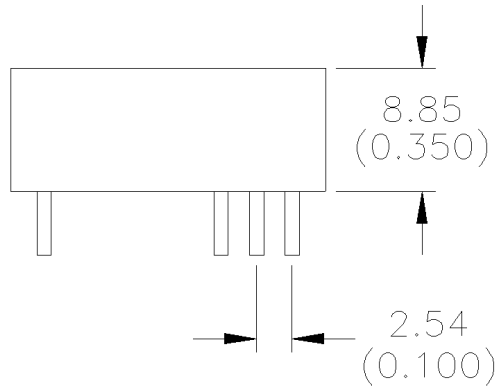
## TDB1 SERIES SPECIFICATIONS

*Model-Type	Input Voltage (Vdc)	Input Current mA (typ)	Output Voltage (Vdc)	Output Current mA (max)
TDB1-0505S	5	333	5	100
TDB1-0509U	5	276	9	200
TDB1-0512S	5	276	12	75
TDB1-0515S	5	276	15	60
TDB1-0524SU	5	276	24	40
TDB1-1205S	12	134	5	100
TDB1-1209SU	12	115	9	200
TDB1-1212S	12	115	12	75
TDB1-1215S	12	115	15	60
TDB1-2405S	24	67	5	100
TDB1-2412S	24	57	12	75
TDB1-2415S	24	57	15	60

S: Single Output

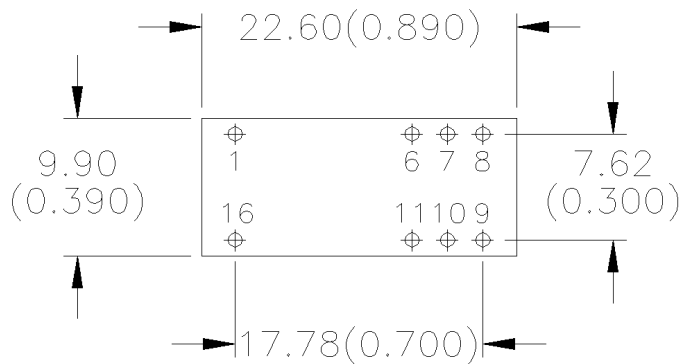
\*Note: For Unregulated, Add 'U' at end of Part Number i.e. TDB1-0509SU

Specifications subject to change without notice.



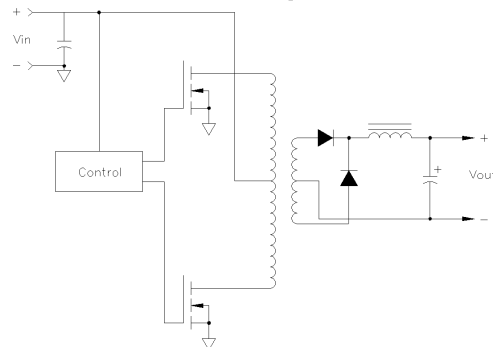
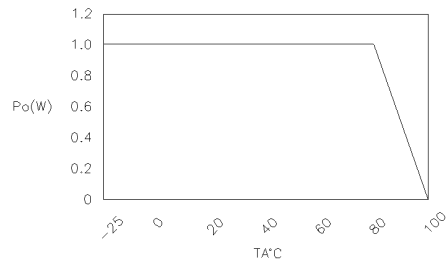
### Pin Connections

Pin	Single Out
1&16	+ Input
6&11	- Output
7&10	+ Output
8&9	- Input



BOTTOM VIEW

Power Derating Curve



All specifications and prices subject to change without notice