

# ADAPTO 900

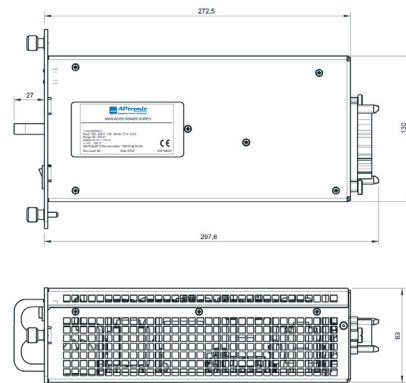
power supply intended for telecommunication or general use

solved.  
www.aptronic.de



## Description

The power supply is intended for use in telecommunications, yet, also applicable for general use. The unit is designed to work in a cabinet which provides sufficient airflow for cooling.



## Input

- Input Voltage: 100 - 240 V AC ~
- Input Current: 4.5 A
- Frequency: 45 - 66 Hz
- Active PFC: > 0.95
- Efficiency: > 87%

## Output

- Output Power: 900W
- Output Voltage: 54 V
- Output Current: 0 - 16.7 A

APtronic US Headquarter  
Naples, Florida - USA

## Mechanics

- Case Material: Aluminum
- Protection Category: IP 30

## Safety

- Active & Alarm indication
- Meets EN60950, UL60950, and CSA 22.2 No. 60590 requirements

## Details

- Operating Temperature: - 40°C ... + 65°C
- Storage Temperature: - 45°C ... + 70°C
- Temperature controlled

## Features

- Regulated and protected against short-circuits and overload
- Thermal protection
- Meets EN61000-6-2 industry and EN61000-6-3 household requirements

APtronic AG Headquarter  
Bad Sassendorf, Germany

Production site  
Dongguan, China

# APtronic AG

Your Partner for customized Power Supplies

## APtronic AG

An der Helle 26  
D-59505 Bad Sassendorf - Lohne  
Germany

Phone +49 (0) 2927-9194-0

Fax +49 (0) 2927-9194-50

info@aptronic.de

**APtronic**  
Adaptive Power Solutions